



## TSB 07/08 SERIES

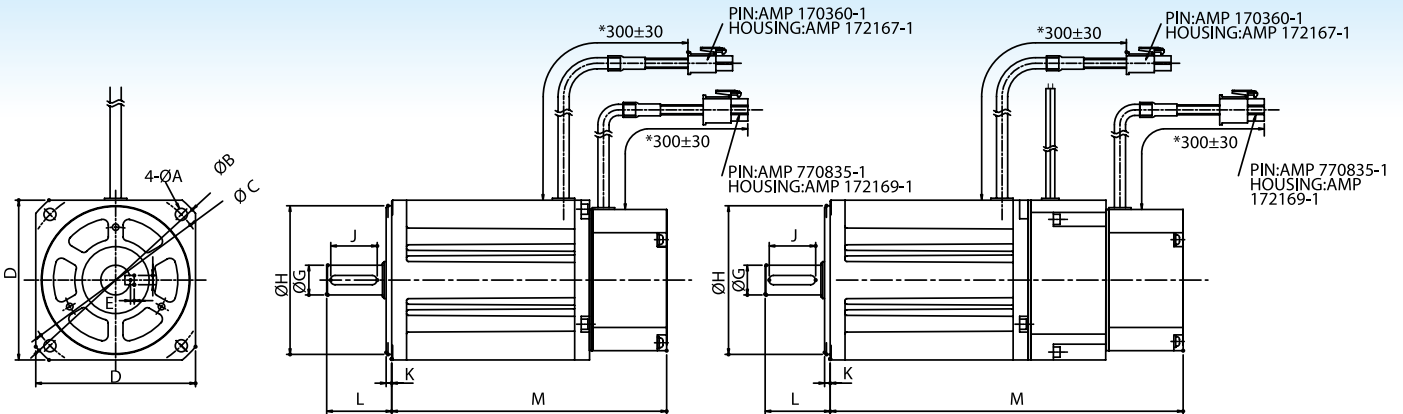
### SPECIFICATION

1 (kgf · cm) = 0.0980665 (N · m)    1 (gf · cm · s<sup>2</sup>) = 0.980665 (kg · cm<sup>2</sup>)

Item / Motor Type		Unit	TSB07301C	TSB08751C
Rated Output	PR	W	300	750
Driver Set			TSTA15C	TSTA20C
Rated Terminal Voltage	V <sub>T</sub>	V	107.7	149.4
Rated Torque	T <sub>R</sub>	N · m	0.95	2.391
Rated Current	I <sub>R</sub>	A	2.0	3.4
Rated Speed	N <sub>R</sub>	rpm	3000	3000
Peak Torque	T <sub>P</sub> (N)	N · m	2.861	7.164
Peak Current	I <sub>P</sub>	A	6.0	10.2
Torque Constant	K <sub>T</sub>	N · m/A	0.524	0.776
Voltage Constant	K <sub>E</sub>	V/k rpm	54.9	81.4
Rotor Inertia	J <sub>M</sub>	kg · cm <sup>2</sup>	0.671	2.449
Resistance	R <sub>a</sub>	Ω	8.37	3.27
Inductance	L <sub>a</sub>	mH	17.4	10.2
Mechanical Time Constant	T <sub>m</sub>	ms	1.96	1.032
Electrical Time Constant	t <sub>e</sub>	ms	2.05	3.12
Weight		kgf	1.82	3.41
Insulation Class			F class ( 155°C )	
BRAKE	Rated Voltage	V	VDC 24V ± 10%	
	Static Rubbing Torque		N · m	1.176      2.352
	Inertia		kg · cm <sup>2</sup>	0.098      0.225
	Consume Current		A	0.45      0.44
	Weight		kgf	0.68      1.94
Ambient Temperature		°C	0~40	

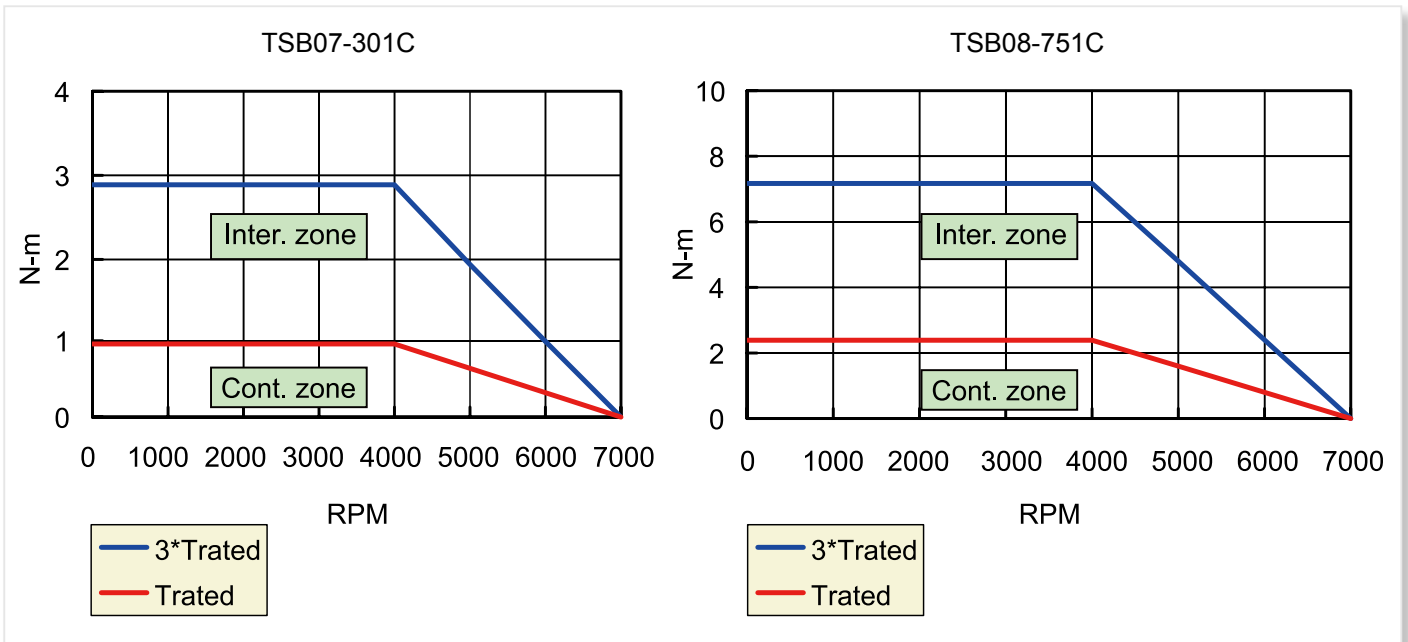
● To customize motors, please contact with us or our agent.

## DIMENSION



	Motor Type	A	B	C	D	E	F	G	H	J	K	L	M
With Brake	TSB07301C	φ 5.5	φ 100	φ 90	76	2	5	φ 14	φ 70	20	3	30	151.5
	TSB08751C	φ 6.5	φ 112	φ 100	86	2	5	φ 16	φ 80	25	3	35	190
Non Brake	TSB07301C	φ 5.5	φ 100	φ 90	76	2	5	φ 14	φ 70	20	3	30	113.5
	TSB08751C	φ 6.5	φ 112	φ 100	86	2	5	φ 16	φ 80	25	3	35	148

## PERFORMANCE CURVE



- Motor power cable connection specifications, please reference page 17 · 21.
- CN2 (Encoder Connection Specifications) – TSTA, please reference page 17.
- CN2 (Encoder Connection Specifications) – ESDA, please reference page 21.